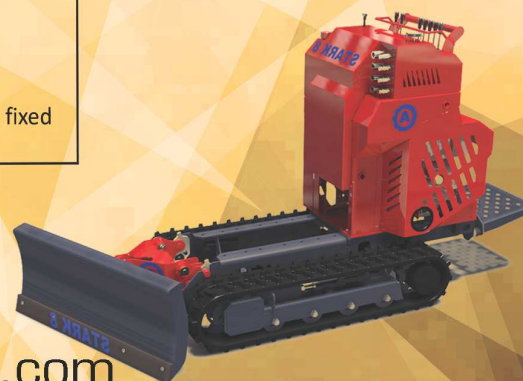


COSTRUZIONI MECCANICHE F.LLI ANTOLINI SRL



MODEL	STARK 8/10 B	STARK 8/20 B
Engine	Honda GX390	Honda GX630
Displacement (cm ³)	389	688
Engine power (kW-HP)	8,7-11,7 @3600rpm	15.5-20.8 @3600rpm
Starting system	Recoil	Electric
Fuel	Gasoline	Gasoline
Fuel tank capacity (Litre)	6,1	14,5
Fuel consumption (Litre/h)	3,5@3600rpm cont.	6@3600rpm cont.
HYDRAULIC INSTALLATION		
Distributor	Mechanical lever	Mechanical lever
N° levers	2+6max	2+6max
Max pressure system (bar)	160	160
HYDRAULIC ENGINE		
Type	Bonfiglioli 700-C2 K	Bonfiglioli 700-C2 K
N° of speed	2	2
Max pressure system (bar)	210	210
RUBBER TRACK		
Rubber track dimension	180-72-38	180-72-38
Tensioning	Adjusting screw	Adjusting screw
N°rollers	4	4
PERFORMANCE		
Load capacity (Kg)	800	800
Speed 1/2 (km/h)	1,7/3,2	1,7/3,2
Machine weight (kg)	500	500
Operator position	On board	On board
Max gradient	20°	20°
Platform height (mm)	340	340
Machine height (mm)	1285	1285
ROADWAY		
Type	fixed / extendable	fixed / extendable
External dimensions (opened/closed)	760/760-1060	760/760-1060
Internal dimensions (opened/closed)	400/400-700	400/400-700
OPTIONAL		
White rubber tracks	yes	yes
Electric starting	yes	-
Hour meter	yes	yes
Additional hydraulic services	5 on extendable, 6 on fixed version	5 on extendable, 6 on fixed version



www.mezzicingolati.com

info@mezzicingolati.com +39 0456750126

HEADQUARTER Via Cortine, 1 37020 Sant'Anna D'Alfaedo (VR), Italy

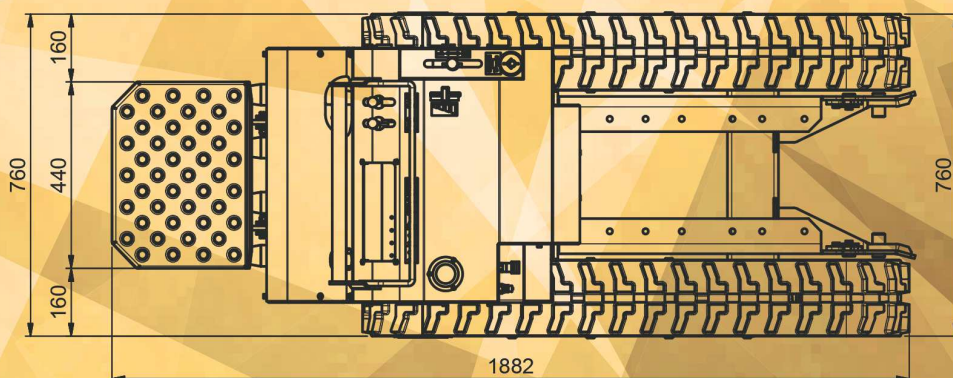
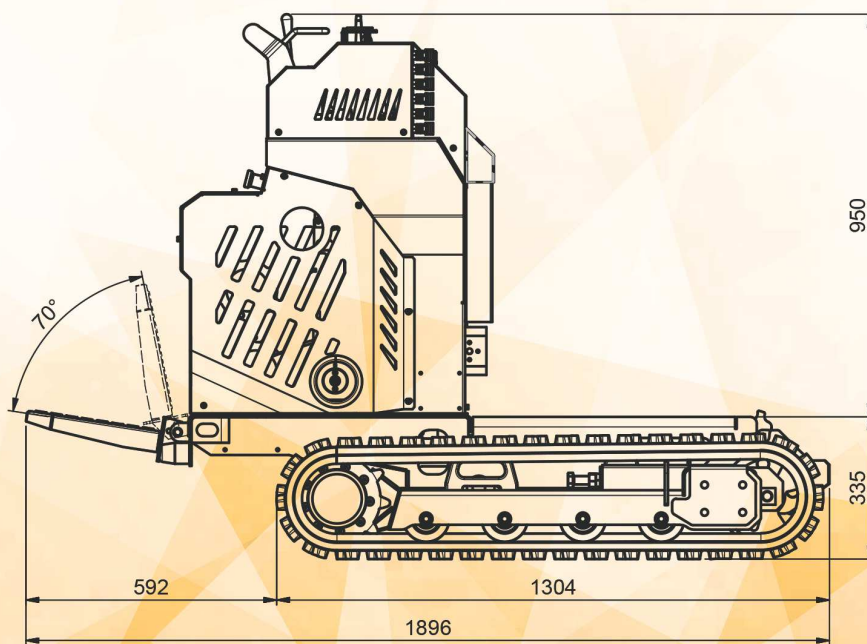
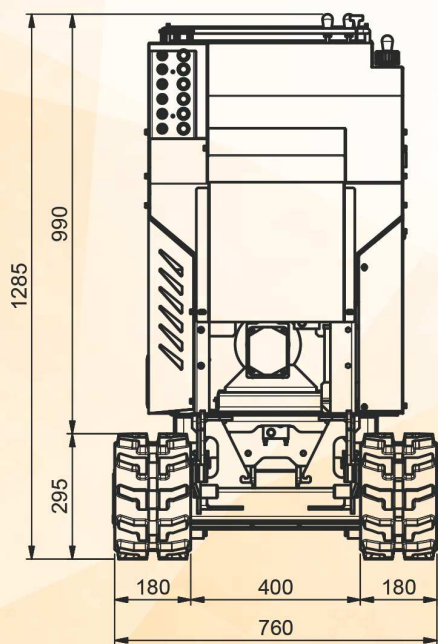
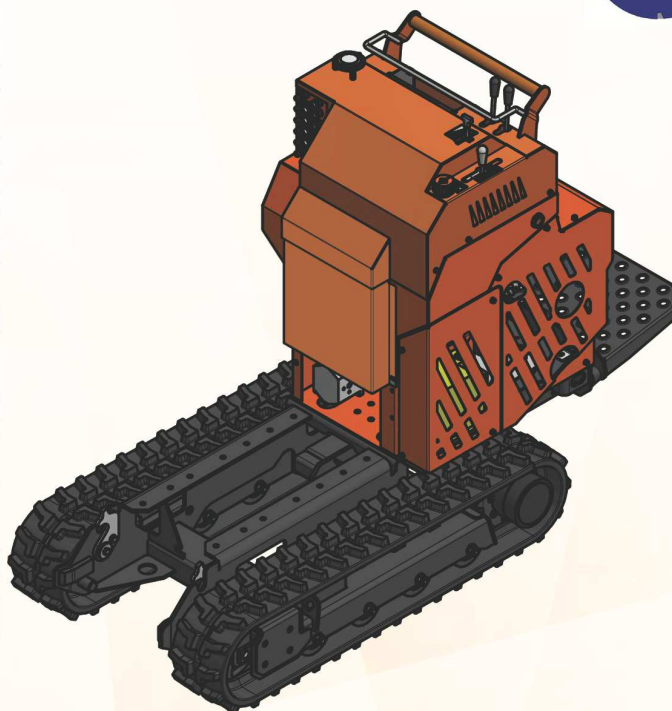
TECHNICAL OFFICE AND SALES Via A. Volta, 24 37026 Settimo di Pescantina (VR), Italy



SCHEDA DIMENSIONALE PRODOTTO - DATASHEET



MODEL	STARK 8/10 B	STARK 8/20 B
SKIP SELF LOADER		
Bucket volume (m ³)	0,37	0,37
Loading pallet volume (m ³)	0,04	0,04
SKIP LOADER		
Bucket volume (m ³)	0,37	0,37
WOOD CARRYING KIT		
Volume (m ³)	ND	ND
FARMING SKIP		
Lenght - Width - Height (m)	0,93-0,7-0,3	0,93-0,7-0,3
Loading height (mm)	530	530
SNOW SHOVEL		
Inclination	manual/ optional hydraulic	manual/ optional hydraulic
Height (mm)	450	450
Lenght (mm)	1000	1000
FORKLIFT		
Loading height (mm)	1400	1400
Machine height (mm)	2350	2350
Inclination up-down (deg)	7-4	7-4
Load capacity (kg)	400	400
Fork lenght (mm)	1000X80X30	1000X80X30
Fork type	FEM1	FEM1
MULCHER FOR GRASS		
Cutting width (mm)	ND	1000
HIGH SKIP SELF LOADER (only with extendable version)		
Bucket volume (m ³)	0,37	0,37
Loading pallet volume (m ³)	0,04	0,04
Machine height (mm)	2755	2755
Loading height (mm)	1855	1855



TUTTE LE DIMENSIONI SONO ESPRESSE IN MILLIMETRI - ALL DIMENSIONS ARE IN MILLIMETERS
 TUTTI I DATI SI RITENGONO NON VINCOLANTI DAL COSTRUTTORE - ALL DATAS ARE NOT BINDING FOR THE MANUFACTURER

IL PRESENTE DISEGNO, DI ESCLUSIVA PROPRIETA' DELLA DITTA, NON PUO' VENIRE RIPRODOTTO NE RESO NOTO A TERZI SENZA AUTORIZZAZIONE. OGNI TRASGRESSIONE VERRA' PERSEGUITA A TERMINI DI LEGGE.
 THIS DRAWING IS EXCLUSIVE PROPERTY OF THE COMPANY AND CANNOT BE REPRODUCED OR PUBLISHED WITHOUT AUTHORIZATION TO THIRD PARTIES. ANY UNAUTHORIZED REPRODUCTION WILL BE PERSECUTED BY LAW.