

# COSTRUZIONI MECCANICHE F.LLI ANTOLINI SRL

MODEL	STARK 5-200	STARK 5-270
Engine	Honda GX200	Honda GX270
Displacement (cm <sup>3</sup> )	196	270
Engine power (kW-HP)	4,3-5,8 @3600rpm	6,3-8,4 @3600rpm
Starting system	Recoil	Recoil
Fuel	Gasoline	Gasoline
Fuel tank capacity (Litre)	3,1	5,3
Fuel consumption (Litre/h)	1,7@3600rpm cont.	2,4@3600rpm cont.
<b>HYDRAULIC INSTALLATION</b>		
Distributor	Mechanical lever	Mechanical lever
N° levers	2+2	2+2
Max pressure system (bar)	130	130
<b>HYDRAULIC ENGINE</b>		
Type	ENGINE OMR 250	ENGINE OMR 250
N° of speed	1	1
Max pressure system (bar)	80	80
<b>RUBBER TRACK</b>		
Rubber track dimension	150-72-33	150-72-33
Tensioning	Adjusting screw	Adjusting screw
N° rollers	3	3
<b>PERFORMANCE</b>		
Load capacity (Kg)	500	500
Speed 1/2 (km/h)	2,1/-	2,1/-
Weight of the machine (kg)	260	260
Operator position	not on board	not on board
Max gradient	20°	20°
Platform height (mm)	340	340
Machine height (mm)	1139	1139
<b>ROADWAY</b>		
Type	fixed	fixed
External dimensions (opened/closed)	670	670
Internal dimensions (opened/closed)	370	370
<b>OPTIONAL</b>		
White rubber tracks	no	no
Electric starting	yes	yes
Hour meter	yes	yes
Additional hydraulic services	no	no



[www.mezzicingolati.com](http://www.mezzicingolati.com)

info@mezzicingolati.com +39 0456750126

HEADQUARTER Via Cortine, 1 37020 Sant'Anna D'Alfaedo (VR), Italy

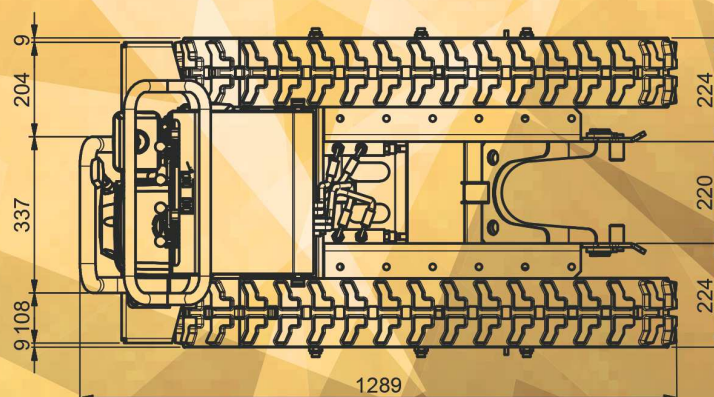
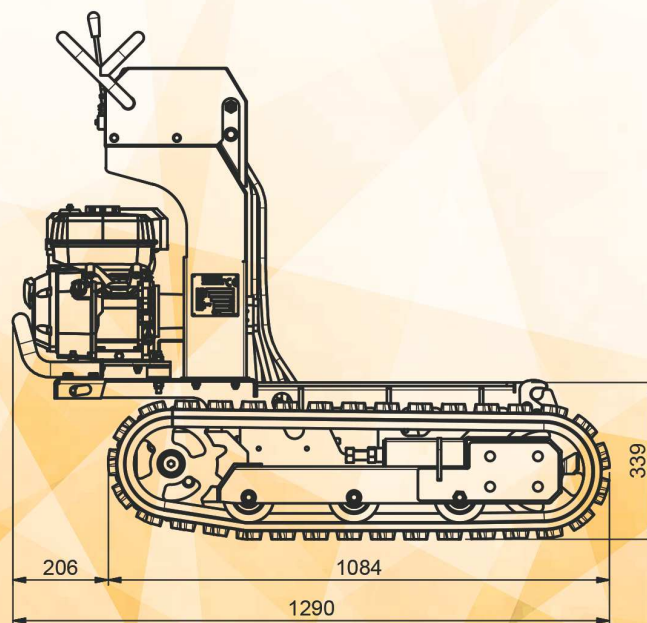
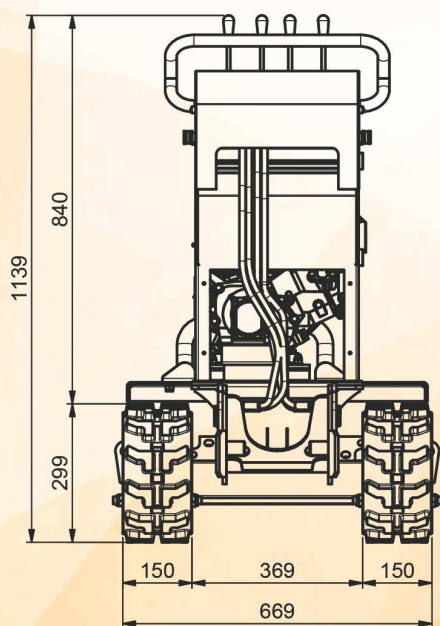
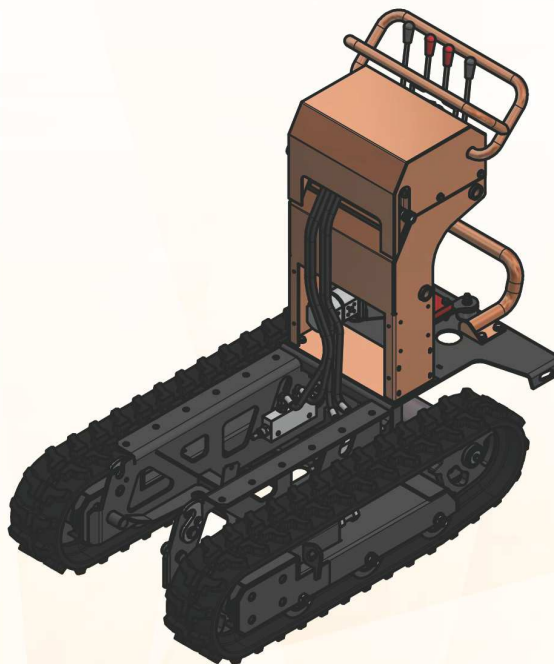
TECHNICAL OFFICE AND SALES Via A. Volta, 24 37026 Settimo di Pescantina (VR), Italy



# SCHEDA DIMENSIONALE PRODOTTO - DATASHEET



MODEL	STARK 5-200	STARK 5-270
<b>SKIP SELF LOADER</b>		
Bucket volume (m <sup>3</sup> )	0,2	0,2
Loading pallet volume (m <sup>3</sup> )	0,03	0,03
<b>SKIP LOADER</b>		
Bucket volume (m <sup>3</sup> )	0,2	0,2
<b>WOOD CARRYING KIT</b>		
Volume (m <sup>3</sup> )	0,3	0,3
<b>THREE SIDES</b>		
Lenght - Width - Height (m)	0,8-0,59-0,25	0,8-0,59-0,25
Loading height (mm)	470	470
<b>SNOW SHOVEL</b>		
Inclination	manual	manual
Height (mm)	410	410
Lenght (mm)	750	750



TUTTE LE DIMENSIONI SONO ESPRESSE IN MILLIMETRI - ALL DIMENSIONS ARE IN MILLIMETERS  
 TUTTI I DATI SI RITENGONO NON VINCOLANTI DAL COSTRUTTORE - ALL DATAS ARE NOT BINDING FOR THE MANUFACTURER

IL PRESENTE DISEGNO, DI ESCLUSIVA PROPRIETA' DELLA DITTA, NON PUO' VENIRE RIPRODOTTO NE RESO NOTO A TERZI SENZA AUTORIZZAZIONE. OGNI TRASGRESSIONE VERRA' PERSECUITA A TERMINI DI LEGGE.  
 THIS DRAWING IS EXCLUSIVE PROPERTY OF THE COMPANY AND CANNOT BE REPRODUCED OR PUBLISHED WITHOUT AUTHORIZATION TO THIRD PARTIES. ANY UNAUTHORIZED REPRODUCTION WILL BE PERSECUTED BY LAW.